

OKIPAGE 8w Lite



Setup Guide

Preface

Every effort has been made to ensure that the information in this document is complete, accurate, and up to date. Oki assumes no responsibility for the results of errors beyond its control. Oki also cannot guarantee that changes in software and equipment made by other manufacturers and referred to in this guide will not affect the applicability of the information in it. Mention of software products manufactured by other companies does not necessarily constitute endorsement by Oki.

© 2000 by Oki. All rights reserved.

Oki and OKIPAGE are registered trademarks of Oki Electric Industry Company Ltd.

Energy Star is a trademark of the United States Environmental Protection Agency.

Apple, Macintosh, Mac, MacOS and True Type are registered trademarks of Apple Computer Corporation.

Microsoft, MS-DOS and Windows are registered trademarks of Microsoft Corporation.

EEC compatibility



This product complies with the requirements of the Council Directives 89/336/EEC (amended by 92/31/EEC) and 73/23/EEC (amended by 93/68/EEC) on the approximation of the laws of the member states relating to electromagnetic compatibility and low voltage.

Energy Star



As an Energy Star Partner, Oki has determined that this product meets the Energy Star guidelines for energy efficiency.

Universal Serial Bus



This printer is fitted with an industry standard Universal Serial Bus (USB) data interface.

Table of contents

Preface	ii	Setting up	7
EEC compatibility	ii	Attaching paper input tray	7
Energy Star	ii	Protective sheet removal	7
Universal Serial Bus	ii	Toner cartridge installation	8
Table of contents	iii	Loading paper	9
Safety instructions	1	Printer connection	9
Toner cartridge and image drum handling	2	Parallel data connection	10
Emergency first aid	3	USB cable connection	10
Printer features	4	Power connection	10
Unpacking	5	Printer driver installation	11
Printer components	6	Macintosh	11
		Windows	12
		Parallel connection	12
		USB connection	12
		Index	13

Safety instructions

This printer has been carefully designed to give years of safe, reliable performance. As with all electrical equipment, however, there are a few basic precautions that should be taken to avoid personal injury or damaging the printer:

- Read this setup guide carefully and save it for future reference.
- Read and follow all warning and instruction labels on the printer itself.
- Disconnect the printer before cleaning. Use only a damp cloth. Do not use liquid or aerosol cleaners to clean the printer.
- Place the printer on a firm, solid surface. If the printer is placed on something unsteady, it may fall and become damaged or injure someone. If the printer is placed on a soft surface, such as a rug, sofa, or bed, the vents may become blocked causing the printer to overheat.
- Do not put the printer on or near a heat source, such as a radiator or heat register. Keep it out of direct sunlight. Allow enough room around the printer for adequate ventilation and easy access.
- Do not use the printer near water, or spill liquid of any kind into it.
- Make sure that the power source matches the rating listed on the back of the printer. If you are not sure, check with your dealer or with your local power company.
- This printer has an earthed plug as a safety feature and will only connect to an earthed outlet. If this plug cannot be connected to a power outlet, then it is possible that the power outlet is of the older, non-earthed type. Contact an electrician to have the power outlet replaced. Do not use an adapter to defeat the earthing.
- To avoid damaging the power cable, do not put anything on it or place it where it will be walked on. If the cable becomes damaged or frayed, replace it immediately.
- If an extension cable or power strip is being used with the printer, make sure that the total of the amperage rating required by all the equipment is less than the rating of the extension cable or power strip. The total ratings of all equipment

plugged into the outlet should not exceed 13 amperes.

- The power outlet into which the printer is connected must remain accessible at all times.
- Opening any cover may expose hot surfaces. These are clearly labelled. Do NOT touch them.
- Do not insert anything into the ventilation slots on the printer; you could get a shock or cause a fire.
- Aside from the routine maintenance described in the user's guide, do not try to service the printer yourself. Opening a cover may expose you to shocks or other hazards.
- Do not make any adjustments other than those outlined in the user's guide as damage may be caused to the printer.

If anything happens that indicates that the printer is not working properly or has been damaged, disconnect the printer from the power source and contact your dealer. These are some of the things to look for:

- The power cable or plug is frayed or damaged.
- Liquid has been spilled into the printer, or it has been exposed to water.

- The printer has been dropped, or the cabinet is damaged.
- The printer does not function normally when following the operating instructions.

Toner cartridge and image drum handling

- Leave unused toner cartridges and image drum units in their packages until needed. When replacing a toner cartridge or image unit, reuse the packaging to dispose of the old toner cartridge or image drum unit.
- Do not expose the toner cartridges and image drum units to light for more than five minutes. Never expose the green drum (inside the image drum unit) to direct sunlight.
- Always hold the image drum unit by the ends — never by the middle. Never touch the green drum inside the image drum unit.
- To avoid damage to the image drum unit, always use original toner cartridges.
- Exercise care when removing the toner cartridge. Do not let it touch your clothing or porous materials. The toner powder causes permanent stains.

- Small amounts of toner spilled on skin or clothing can be readily removed with soap and cold water. Using heated water will make removing the stain much more difficult.

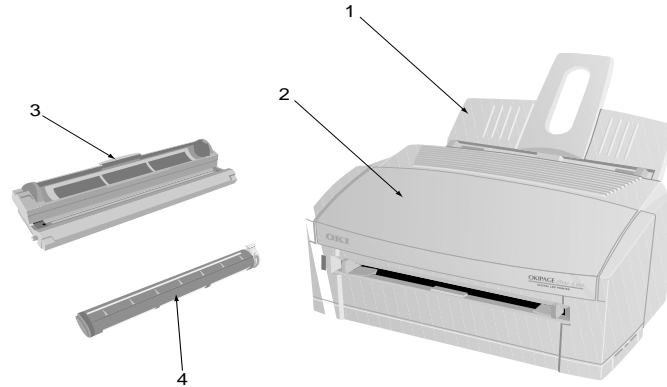
Emergency first aid

- **IF TONER IS SWALLOWED:** Induce vomiting and seek medical attention. Never attempt to induce vomiting or give anything by mouth to a person who is unconscious.
- **IF TONER IS INHALED:** Take the person to an open area for fresh air. Seek medical attention.
- **IF TONER GETS IN THE EYES:** Flush eyes with large quantities of cool, NOT cold, water for a minimum of 15 minutes keeping eyelids open with fingers. Seek medical attention.

Printer features

- 8 pages per minute (ppm) output
- Genuine 300 dpi print head
- 100 sheet universal paper feeder
- 2 Mb of memory as standard with enhanced memory management
- Manual feed for envelopes, transparencies, etc.
- Bidirectional Centronics IEEE 1284 parallel interface
- USB interface
- Combined ready and power on indicator

Unpacking



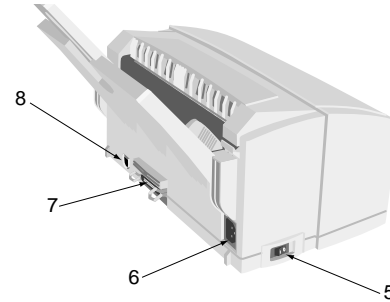
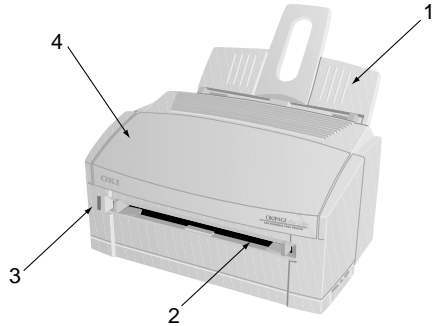
After unpacking the printer and choosing a suitable place to put it, check that you have all the necessary parts to continue:

1. Paper feed and exit tray
2. Printer
3. Image drum cartridge (normally installed inside the printer)
4. Toner cartridge
5. Power cable (not illustrated)
6. Lightproof plastic bag for storing image drum if printer must be shipped (not illustrated)
7. Setup guide (not illustrated)
8. CD-ROM containing printer drivers and documentation (not illustrated)

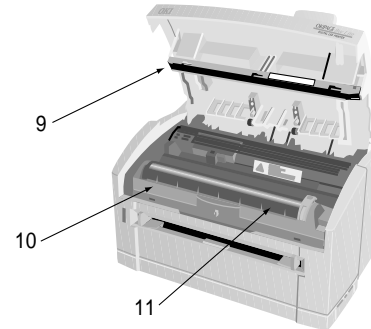
If anything is missing, contact your dealer for a replacement.

Printer components

1. Paper feed and exit tray
2. Manual feed slot
3. Ready/power on indicator
4. Printer cover



9. LED array
10. Image drum
11. Toner cartridge

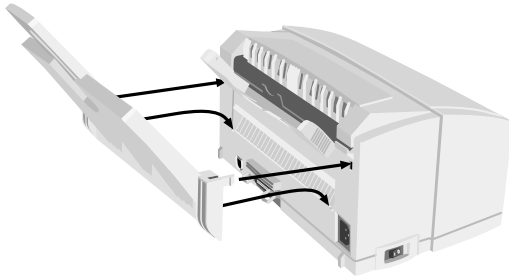


Setting up

Before connecting this printer to a computer and power supply, the toner cartridge must be installed and paper inserted in the paper tray.

Attaching paper input tray

1. Insert the paper tray so that the hooks on the lower edge latch with the printer.



2. Push the paper tray forward until it latches and is secured on both sides.

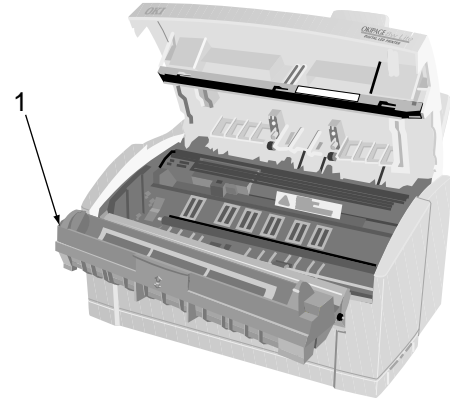
Protective sheet removal

1. Open the printer cover.

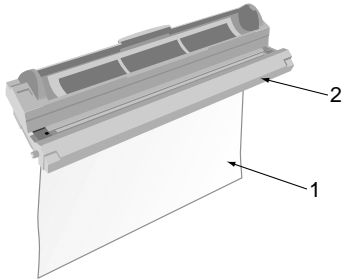
CAUTION:

Never expose the image drum unit to light for more than 5 minutes. Never expose the image drum unit to direct sunlight. Always hold the image drum unit by the ends. Never touch the surface of the green drum inside the image drum unit.

2. Remove the image drum (1) from the printer.



3. Remove the protective sheet (1) from the image drum (2).



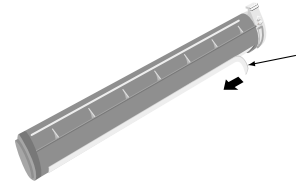
4. Replace the image drum.

Toner cartridge installation

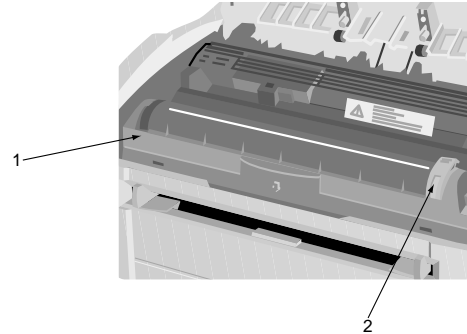
WARNING

Be careful when handling the toner cartridge. Do not let toner spill on your clothing or other porous materials.

1. Remove the tape and shipping insert from the image drum.
2. Shake the toner cartridge to distribute toner evenly.
3. Unwrap the new toner cartridge and carefully peel off the sealing tape (1).



4. Insert the cartridge into the printer, left end (1) first as illustrated.



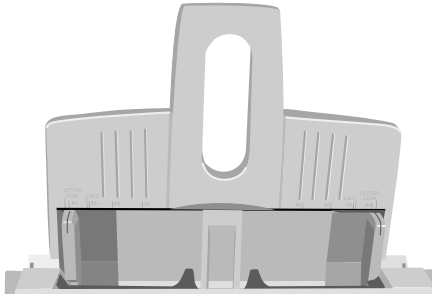
5. Push the coloured tab (2) forward to release the toner into the toner hopper.
6. Close the printer cover.

Loading paper

Note:

Please refer to the user guide for the types of paper to use in this printer.

1. Set the left paper guide to the marker for the required paper size and move the right guide to a position slightly wider than your paper width.



2. Insert the paper so that it is up against and flush with the left paper guide.
3. Adjust the right paper guide to fit snugly but not tightly against the edge of the paper.

For envelopes, transparencies, other print media and using the manual feed slot, refer to the user's guide.

Printer connection

CAUTION:

Make sure the printer is disconnected from the power supply and the computer is turned off.

The printer can be connected to a computer using one of two methods:

- Parallel port connection for Windows.
- USB port connection for Macintosh and Windows 98

Note:

If the printer is connected using both USB and parallel ports, the printer cannot accept simultaneous print jobs. It can only accept, process and print one job at a time.

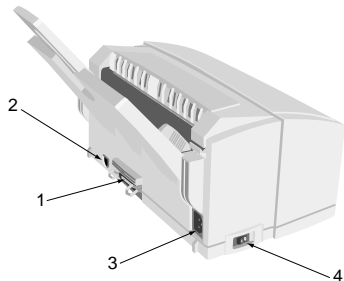
The following precautions should be observed when connecting/disconnecting the interface cable:

- Disconnect the interface cable from the computer first, then disconnect from the printer.
- Wait a minimum of 5 seconds before reconnecting the interface cable.
- Do not disconnect the interface cable or switch the printer off while the printer is printing.

- Connect the interface cable to the printer first, then connect to the computer.

Parallel data connection

1. Connect the interface cable to the parallel socket (1) on the printer.



USB cable connection

The printer comes with a USB interface as standard. This requires a Type A to Type B cable, not more than 5m in length.

1. Connect the Type B (square) connector on the cable to the USB interface connector at the rear of the printer (2).

2. Connect the Type A (small, flat) connector on the other end of the cable to the host computer's USB port.

See 'Printer driver installation' for further information on printer installation.

Power connection

1. Connect the power cable into the power socket (3) on the printer, then into a grounded outlet.
2. Switch the printer on using the main power switch (4).

Printer driver installation

A printer driver is software that accepts data from software programs and applications. It then converts this data into a format that the printer can understand to produce one or more printed pages.

Note:

Check the Readme file on the disk before carrying out installation of the printer driver. This file may contain information that is required during installation of the printer driver.

The printer can be connected to a computer using one of two methods:

- Parallel port connection for Windows.
- USB port connection for Macintosh and Windows

Note:

If the printer is connected using both USB and parallel ports, the printer cannot accept simultaneous print jobs. It can only accept, process and print one job at a time.

Macintosh

1. Switch on the printer then the computer and allow the MacOS and Finder to load normally.
2. Make sure that any virus protection software that may be running is temporarily switched off.
3. Insert the disk into the CD-ROM drive on the computer then double click on the **Installer** icon.
4. Click on the Language button then choose the required language.
5. Click on the Install button.
6. When the installation is complete, click on the **Quit** button and restart the computer.
7. After the computer has restarted, open the **Chooser** from the **Apple** menu.
8. Click on the OKIPAGE 8w Lite (USB) icon then select the printer name that appears in the dialogue box.
9. Close the Chooser.

10. From the File menu, select Page Setup. Choose the required page size and orientation, then click on the OK button.

Windows

Parallel connection

1. Insert the OKIPAGE 8w Lite Manuals and Software CD that came with the printer into the CD-ROM drive.
2. Click on Start - Run.
3. Type D:\setup.exe (where “D” represents your CD-ROM drive letter). Click OK.
4. Follow the on-screen instructions

USB connection

Note:

The USB port capability can only be used with Windows 98.

1. Connect the printer and USB cable (see “USB connection”) to your computer and switch on the printer.
2. Windows will report that it has detected unknown hardware.

3. Click Next and follow on-screen instructions.
4. Insert the CD into the CD-ROM drive. Click Next, then select the CD-ROM drive to search for a USB driver.
5. Click on Next again to install the USB driver following the on-screen instructions.
6. After installing the USB driver, Windows will report that it has detected a new Okipage printer.

Note:

Allowing Windows to automatically install the driver for an Okipage printer does NOT fully install the necessary software. Installation of the printer driver must be done using the setup routine from the CD that came with the Okipage printer.

7. Click on **Cancel** to close the window, then click on Start - Run.
8. Type D:\setup.exe (where D represents the CD-ROM drive letter). Click **OK**.
9. Select Install Printer Driver. Follow the on-screen instructions, selecting USB port connection for the printer.

Index

C

Component identification 5, 6

Connection

Parallel interface 10

Power cable 10

USB interface 10

F

Features 4

P

Paper

Loading 9

Paper types 9

Paper input tray 7

Parallel interface connection 10

Power cable connection 10

Printer

Component identification 5, 6

Features 4

Setting up 7

Unpacking 5

Printer driver installation 11

Macintosh 11

Windows parallel connection 12

Windows USB connection 12

Protective sheet removal 7

S

Safety 1

Setting up

Loading paper 9

Paper input tray 7

Parallel interface connection 10

Power cable connection 10

Protective sheet removal 7

Toner cartridge installation 8

USB interface connection 10

T

Toner cartridge installation 8

U

Unpacking 5

USB interface connection 10

OKI SYSTEMS COMPANIES

Oki Systems (UK) Limited
550 Dundee Road
Slough Trading Estate
Slough
Berks SL1 4LE

Tel: +44 (0) 1753 819 819

Fax: +44 (0) 1753 819 899

<http://www.oki.co.uk>

Oki Systems (Ireland) Limited
The Square Industrial Complex
Tallaght
Dublin 24

Tel: +353 (01) 459 8666

Fax: +353 (01) 459 8840

<http://www.oki.ie>

Hawthorn Business Centre
Adelaide Industrial Estate
Falcon Road
Belfast BT12 6HP

Tel: +44 (01232) 572 355

Fax: +44 (01232) 572 350

<http://www.oki.ie>